

# SPARE PARTS LIST

Mobile fall protection anchor for attaching personal protective equipment  
(PPE)

Type B anchor devices according to EN 795:2012



## FreeFalcon GmbH

Johanniterstrasse 50  
72160 Horb am Neckar  
Germany

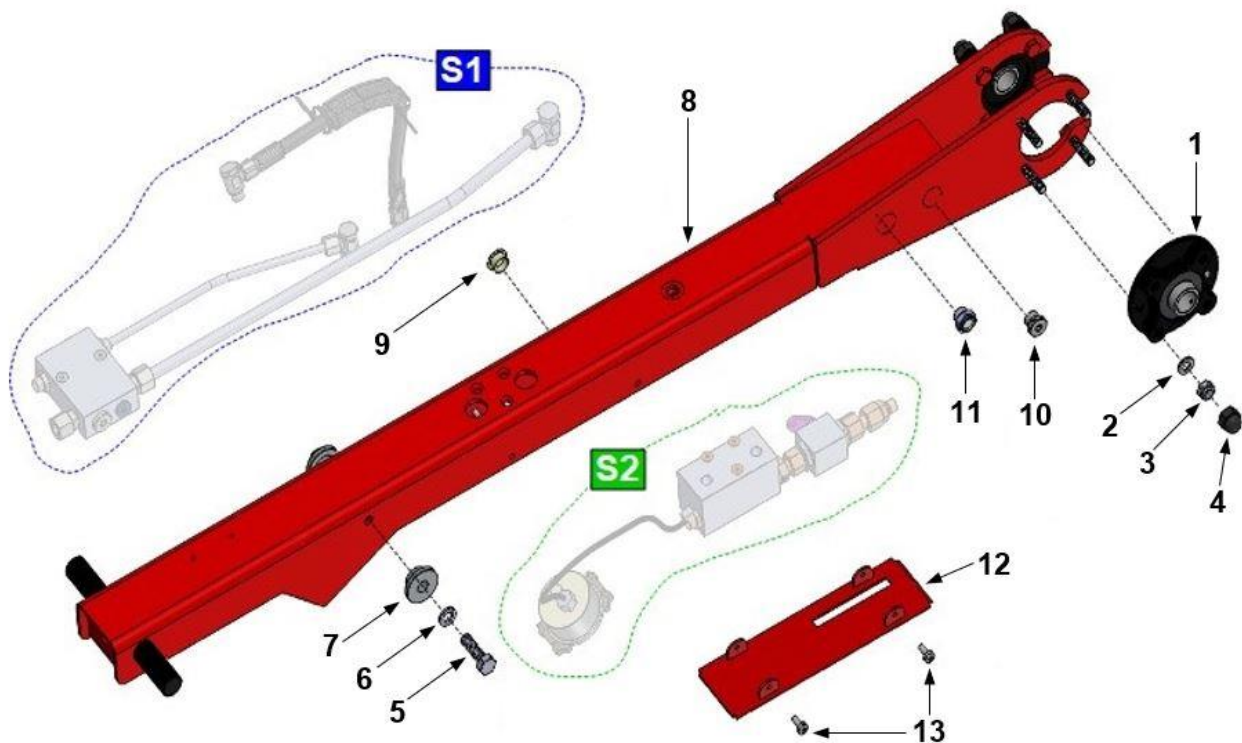
Telephone: +49 7451 6240276  
Fax: +49 7451 6240277  
E-mail: [info@freefalcon.de](mailto:info@freefalcon.de)

## Service life of component or assembly

For liability reasons, the following manufacturer limitations apply to the safe operation during the specified service life of the device. It must be noted that

- **Components or assemblies in a disassembled state must be checked and if necessary replaced**
- **Components or assemblies must be replaced at the end of their service life limit as specified by the manufacturer regardless of their condition.**

<b>Components or assemblies</b>	<b>Inspection / Disassembled</b>	<b>Service life limit</b>	<b>According to chapter</b>
<b>Release cable</b>	<b>2 years</b>	<b>4 years</b>	
<b>Fall indicator</b>	<b>2 years</b>	<b>4 years</b>	
<b>Safety line</b>	<b>2 years</b>	<b>4 years</b>	
<b>Hydraulics – oil</b>		<b>6 years</b>	
<b>Hydraulics – hoses</b>		<b>6 years</b>	
<b>Swivel head frame</b>		<b>10 years</b>	
<b>Seal and bearings for swivel head</b>		<b>10 years</b>	

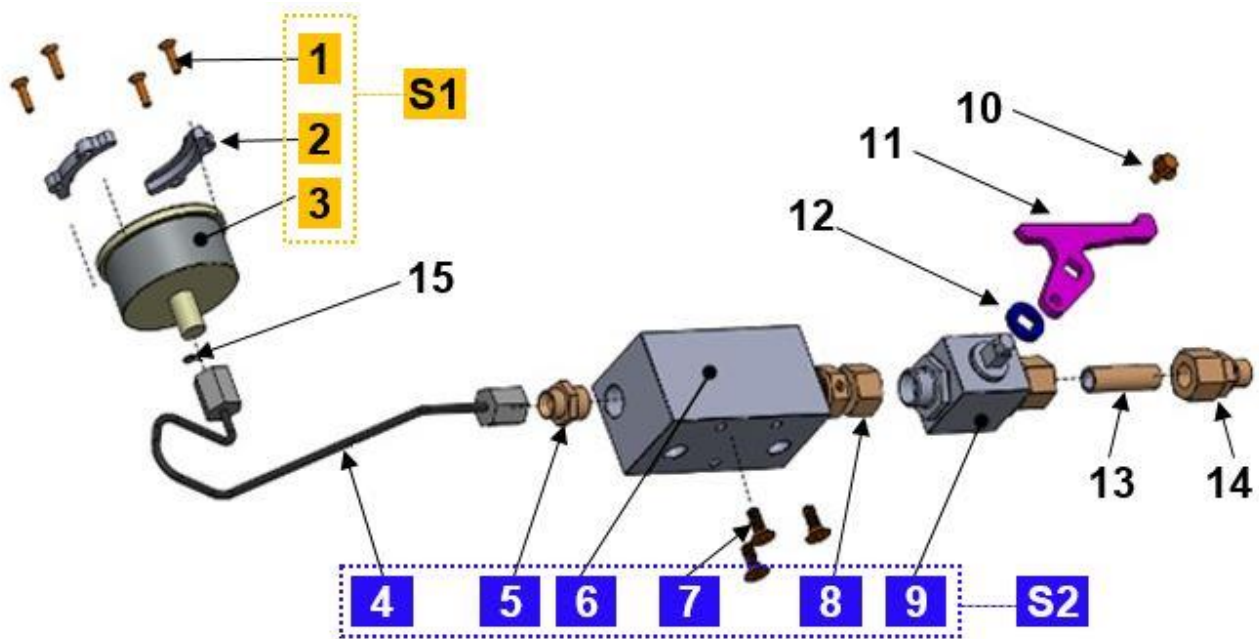


Assembly  
**Base mast**

Assembly number  
**32013**

Dated: 04/05/2020  
Doc ID: EL-32000

Item	Part description	Part no.	Quantity	Note
1	Flange bearing 25 mm incl. grease nipple	32911	2	
2	Washer 10.5 mm	32912	8	
3	Nylon Locknut M10	32913	8	
4	Protection cap 17 mm	32921	8	
5	Hexagon head screw (M12 bolt x 40 mm)	32006	2	
6	Spring washer 12 mm	32005	2	
7	Shaft sleeve	32004	2	
8	Mast body	32014	1	
9	Top hat plug 18 mm	32008	1	
10	Oil fill threaded plug G3/8"	32011	1	
11	Inspection glass	32010	1	
12	Cover for base mast	32003	1	
13	Pan-head screw M6 x 15 mm	32009	4	
<b>S1</b>	<b>Assembly group hydraulics external - complete</b>	<b>32150</b>	<b>1</b>	
<b>S2</b>	<b>Assembly group hydraulics internal - complete</b>	<b>32100</b>	<b>1</b>	<b>pre-assembled</b>

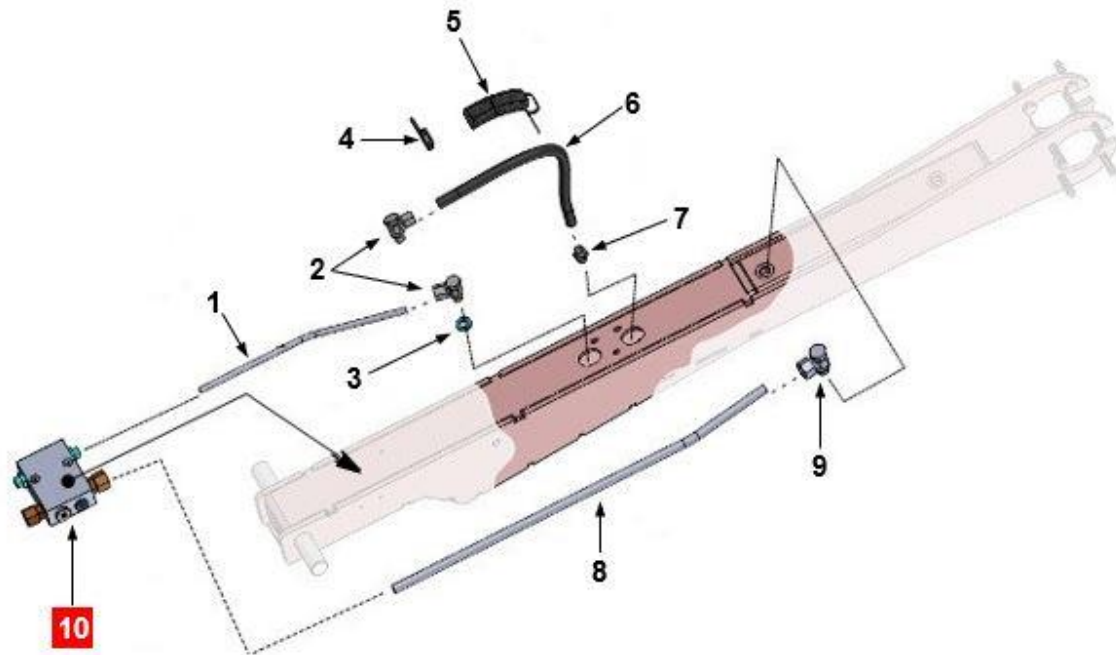


Assembly  
**Base mast hydraulics**  
(S2 – assembly group internal)

Assembly number  
**32100**

Dated: 04/05/2020  
Doc ID: EL-32100

Item	Part description	Part no.	Quantity	Note
1	Countersunk screw M4 x 16 mm	32910	4	
2	Pressure gauge bracket	32002	2	
3	Pressure gauge 63	32101	1	
<b>S1</b>	<b>Pressure gauge</b>	<b>32148</b>	<b>1</b>	<b>Assembly kit</b>
4	Pressure gauge flexi hose	32112	1	incl. O-ring 5 x 1.5
5	GE 8 x 3/8"	32111	1	
6	P-distributor	32103	1	
7	Countersunk screw M6 x 16	32117	3	
8	EVGE 12 x 3/8"	32104	1	
9	2/2 ball valve	32110	1	
<b>S2</b>	<b>P-manifold</b>	<b>32149</b>	<b>1</b>	<b>pre-assembled</b>
10	Locking screw M5 x 10 mm	32106	1	
11	Configuration lever	32113	1	
12	Shim washer for configurations lever 2 mm	32114	1	Measure check during removal / before installation
	or			
12a	Shim washer for configurations lever 3 mm	32118	1	
13	Tubing 12/42 (extra long)	32109	1	Cut to length
14	GE 12 x 1/4"	32108	1	
15	Spare o-ring for measuring tube	32115	1	upon request

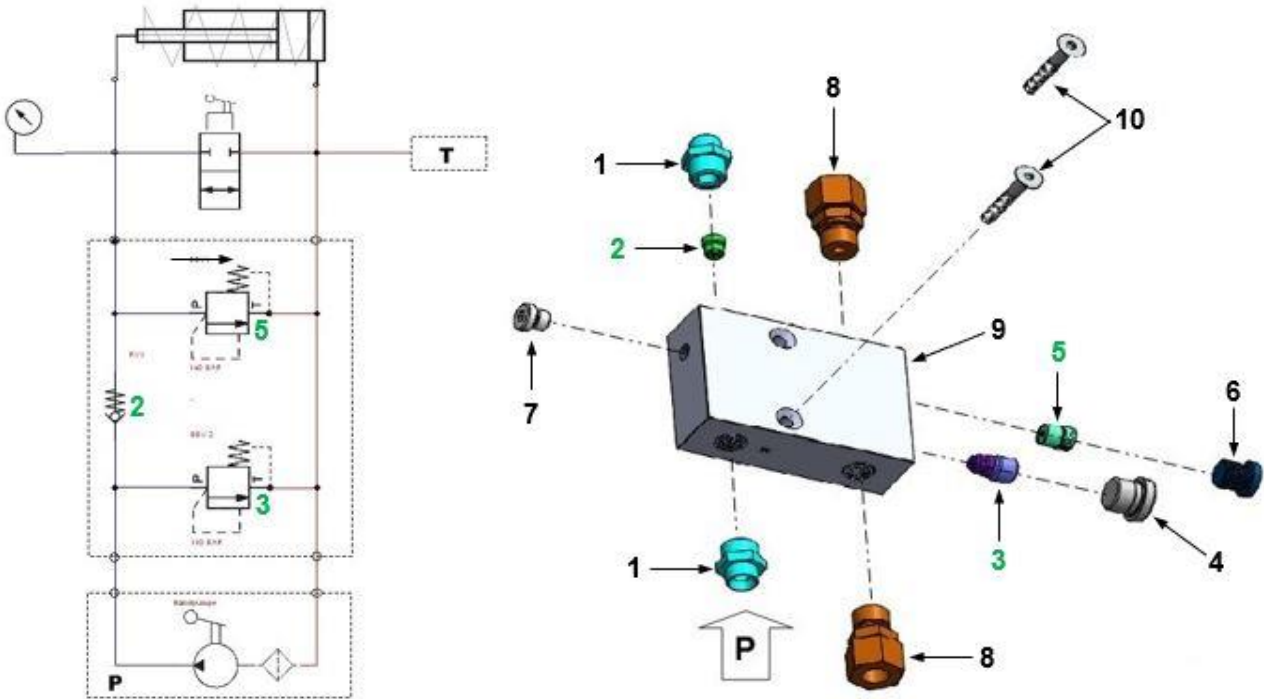


Assembly  
**Base mast hydraulics**  
(S1 – assembly group external)

Assembly number  
**32150**

Dated: 04/05/2020  
Doc ID: EL-32150

Item	Part description	Part no.	Quantity	Note
1	Pressure tube (8 mm hard pipe)	32153	1	excess on one side
2	SWVE 8 x 1/4" (hydraulic banjo fitting)	32156	1	
3	KDE 1/4" 3 (bonded washer seal)	32155	1	
2	SWVE 8 x 1/4" (hydraulic banjo fitting)	32156	1	
4	Cable tie 4,8	32931	2	
5	Protective sleeve 27 x 400	32151	1	
6	H-hose 8-340	32915	1	
7	GE 8 x 1/4"	32154	1	
8	SWVE 12 x 3/8" (hydraulic banjo fitting)	32157	1	
9	Suction tube (12 mm hard pipe)	32914	1	excess on one side
<b>10</b>	<b>Pressure relief valve block</b>	<b>32175</b>	<b>1</b>	<b>Assembly group pre-assembled</b>

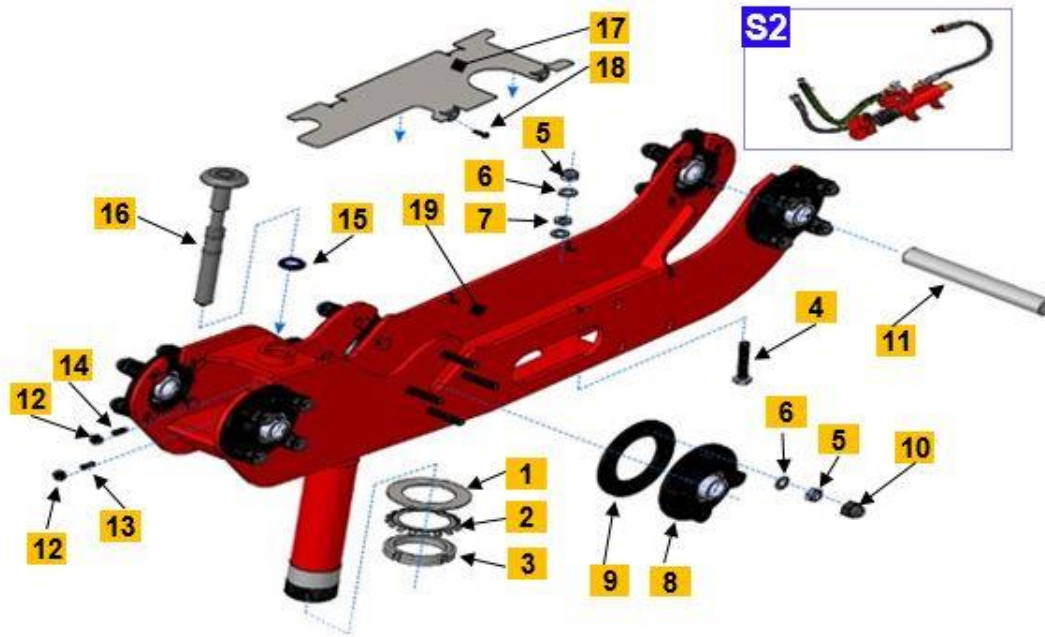


Assembly  
**Pressure relief valve block**

Assembly number  
**32175**

Dated: 04/05/2020  
Doc-ID: EL-32175

Item	Part description	Part no.	Quantity	Note
1	GE 8L x 3/8"	32111	2	
2	Non return valve	32176	1	
3	Pressure relief valve AZ / 110	32177	1	
4	Oil fill threaded plug G 3/8"	32011	2	
5	Pressure relief valve AM / 140	32616	1	
6	Oil fill threaded plug M14 x 1,5	32178	1	
7	Oil fill threaded plug G 1/8"	32179	1	
8	GE 12L 3/8"	32701	2	
9	Valve block	32180	1	
10	Countersunk screw	32181	2	

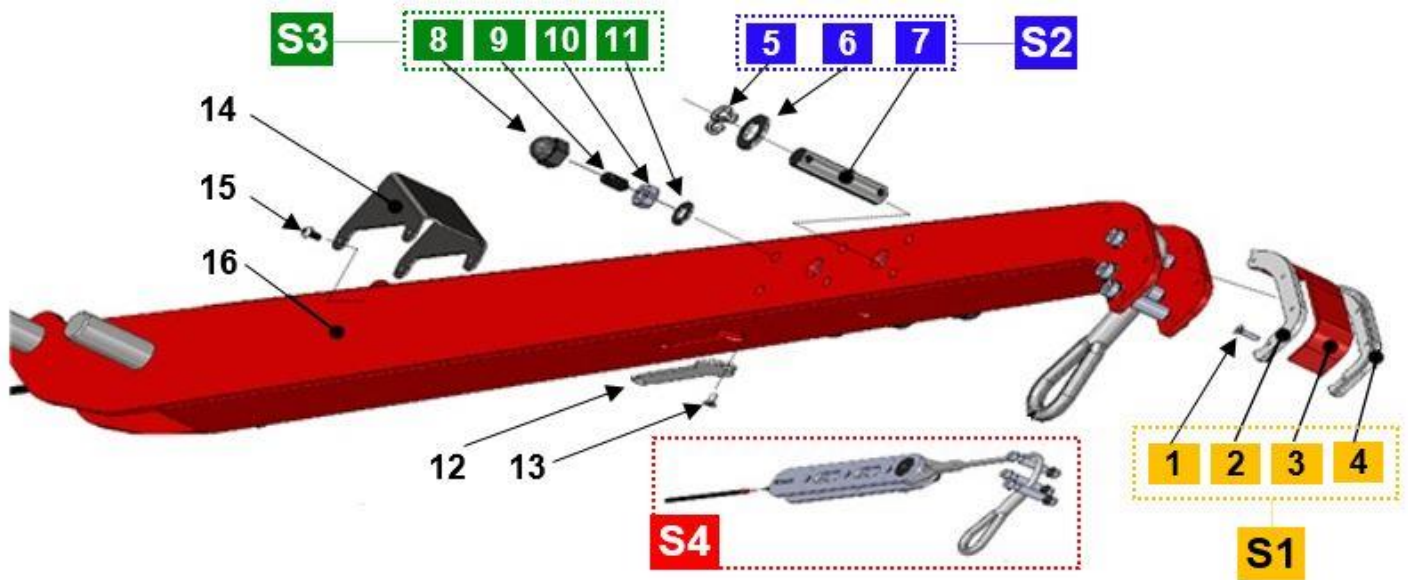


Assembly  
**Swivel head**

Assembly number  
**32200**

Dated: 27/08/2019  
Doc ID: EL-32200

Item	Part description	Part no.	Quantity	Note
1	Clamping ring 55 x 3	32214	1	
2	Locking plate	32203	1	
3	Slotted nut M55 x 2	32204	1	
4	Hexagon head screw (M10 bolt x 60 mm)	32211	1	
5	Nylon Locknut M10	32913	25	
6	Washer 10.5 mm	32912	26	
7	Nut M10 grease	32917	1	
8	Flange bearing 25 mm incl. grease nipple	32911	6	
9	Bearing spacer ring 6 mm	32215	2	
10	Protection cap 17 mm	32921	24	
11	Pivot pin 25 x 190 mm	32208	1	
12	Nut M8	32916	2	
13	Ball end grub screw M8	32201	1	
14	Threaded pin M8	32206	1	
15	Scraper seal 28 x 20	32212	1	
16	Locking pin	32213	1	
17	Pumpcover for swivel head	32217	1	
18	Head screw M5 x 16 mm	32218	4	
19	Swivel head frame	32209	1	
<b>S1</b>	<b>Components for swivel head frame</b>	<b>32299</b>	<b>1</b>	<b>Parts 1 - 19</b>
<b>S2</b>	<b>Pump unit – complete set</b>	<b>32700</b>	<b>1</b>	<b>Assembly group pre-assembled</b>

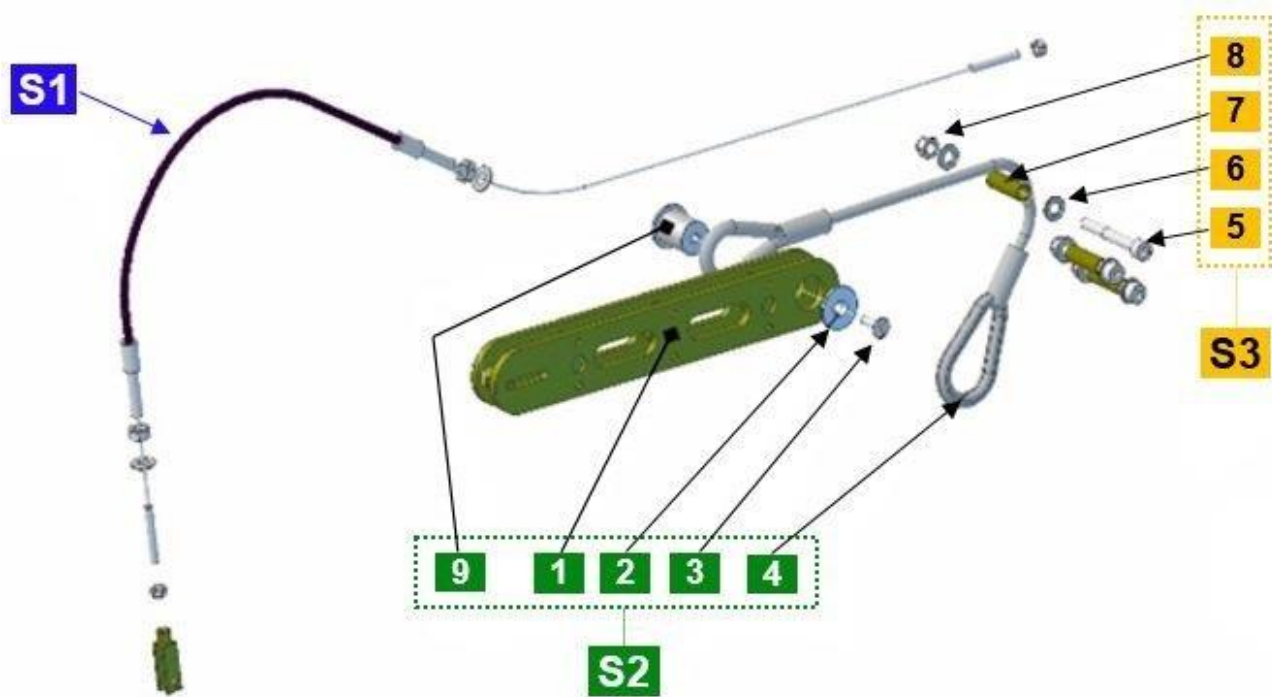


Assembly  
**Extension arm**

Assembly number  
**32300**

Dated: 12/07/2019  
Doc ID: EL-32300

Item	Part description	Part no.	Quantity	Note
1	Countersunk screw M4 x 15 mm	32910	8	
2	Lateral cover right	32310	1	
3	Middle cover	32311	1	
4	Lateral cover left	32309	1	
<b>S1</b>	<b>Cover</b>	<b>32397</b>	<b>1</b>	<b>Assembly kit</b>
5	Split pin 4 mm	32305	4	
6	Washer 17 mm	32304	4	
7	Guide pin	32306	2	
<b>S2</b>	<b>Guide pin</b>	<b>32398</b>	<b>1</b>	<b>Assembly kit</b>
8	Protection cap 17 mm	32921	12	
9	Grub screw with hexagon socket M10	32308	12	
10	Nut M10 grease	32917	12	
11	Washer 10.5 mm	32912	12	
<b>S3</b>	<b>Grub screw set</b>	<b>32399</b>	<b>1</b>	<b>Assembly kit</b>
12	Plastic cap	32303	1	
13	Countersunk screw M4 x 10 mm	32302	2	
14	Cover plate (stainless steel)	32314	1	
15	Pan-head screw M5 x 10	32315	4	
16	Extension arm housing	32301	1	
<b>S4</b>	<b>Fall indicator – complete</b>	<b>32400</b>	<b>1</b>	<b>pre-assembled</b>

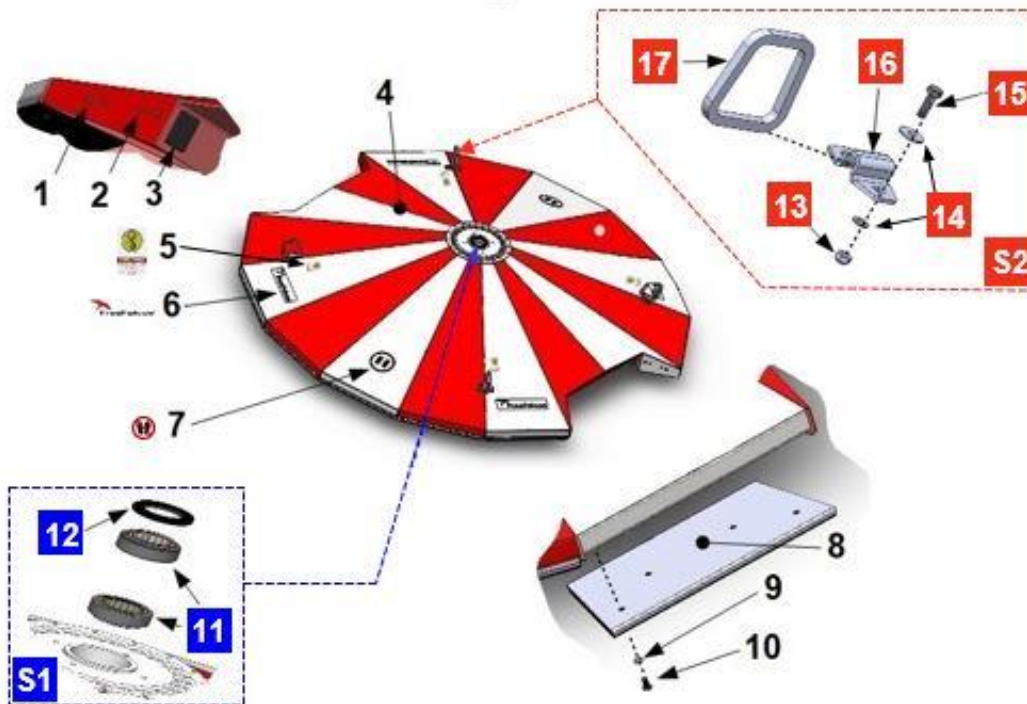


Assembly  
**Fall indicator**

Assembly number  
**32400**

Dated: 21/06/2019  
Doc ID: EL-32400

Item	Part description	Part no.	Quantity	Note
1	Catch slide	32406	1	
2	Lock washer	32404	1	
3	Countersunk screw M6 x 12 mm	32007	1	
4	Safety line 7000 N	32405	1	
5	Allen screw M8 x 60 mm	32402	3	
6	Washer 8 mm	32920	6	
7	Pipe support 12 x 33 mm (aluminum sleeve)	32407	3	
8	Nylon locknut M8	32919	3	
9	Threaded stop pin (for safety line M6)	32409	1	
<b>S1</b>	<b>Bowden cable – complete set</b>	<b>32450</b>	<b>1</b>	<b>Assembly kit</b>
<b>S2</b>	<b>Catch slide – complete set</b>	<b>32470</b>	<b>1</b>	<b>pre-assembled</b>
<b>S3</b>	<b>Safety line guide set</b>	<b>32490</b>	<b>1</b>	<b>Assembly kit</b>

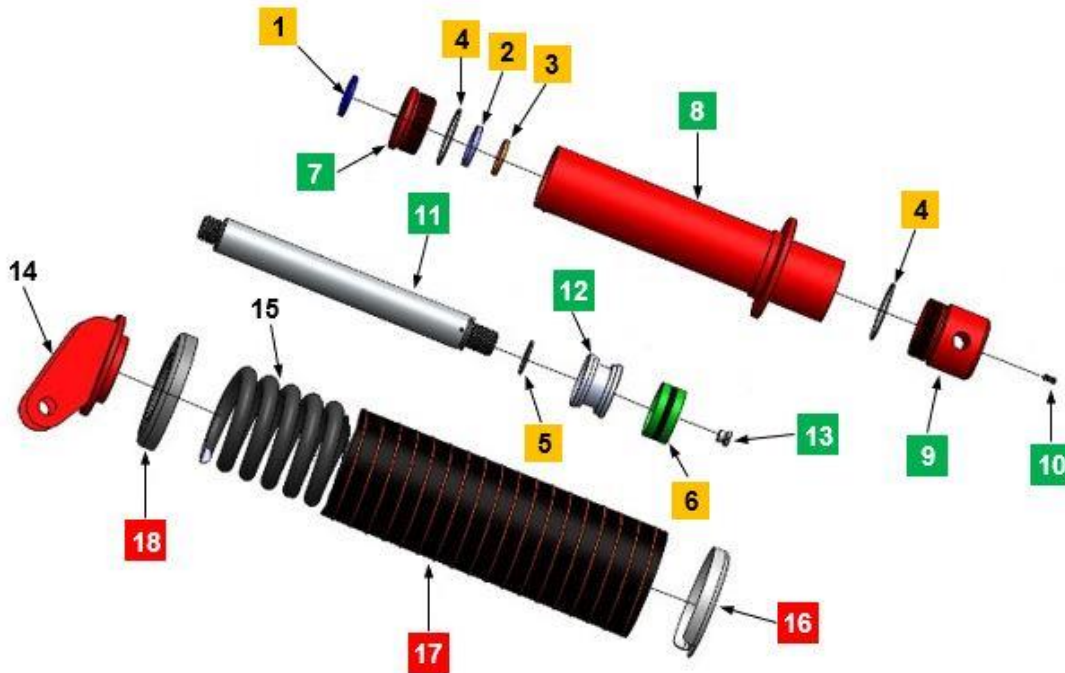

 Assembly  
**Base**

 Assembly number  
**32500**

 Dated: 21/02/2020  
 Doc ID: EL-32500

Item	Part description	Part no.	Quantity	Note
1	Blanking cap KB10 mm	32926	8	
2	Blanking cap KB6 mm	32925	8	
3	Blanking square 60 x 50 mm	32927	4	
4	Base plate	32502	1	
5	Label „not an attachment point“	32934	4	
6	Label „FreeFalcon“	32908	4	
7	Label „No standing“	32909	2	
8	Anti-slip segments	32509	12	
9	Spring washer 8 mm	32505	48	
10	Hexagon bolt M8 x 16 mm	32506	48	
11	Taper roller bearing 55 x 90	32210	2	
12	Shaft sealing ring 60 x 90	32207	1	
<b>S1</b>	<b>Bearing set – complete</b>	<b>32599</b>	<b>1</b>	
13	Nylon locknut M8	32919	8	
14	Mud guard washer 8	32504	16	
15	Hexagon bolt M8 x 25 mm	32503	8	
16	Plate for D-ring – rectangular	32508	4	
17	Ring for D-ring D50 - rectangular	32507	4	
<b>S2</b>	<b>D-ring rectangular – set</b>	<b>32598</b>	<b>4</b>	<b>Assembly kit</b>

## FreeFalcon – mobile fall protection anchor for PPE V21-2

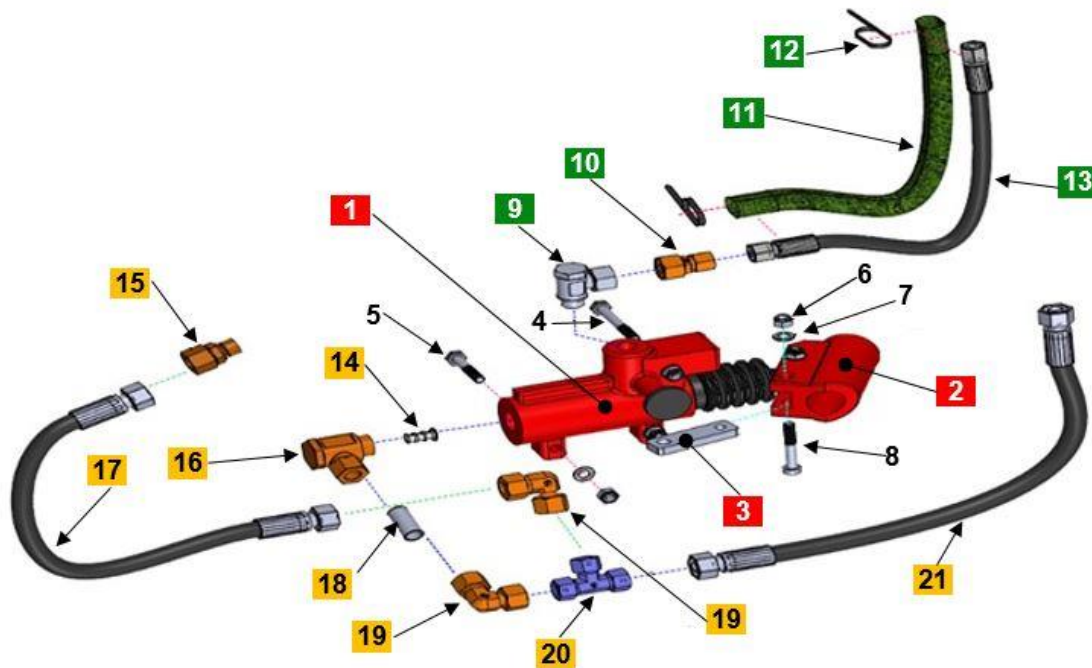


Assembly  
**Safety unit**

Assembly number  
**32600**

Dated: 04/05/2020  
Doc ID: EL-32600

Item	Part description	Part no.	Quantity	Note
1	Scraper ring 50 x 60 x 5 mm	32604	1	
2	Grooved ring 50 x 60 x 8 mm (seal)	32609	1	
3	Piston rod guide	32602	1	
4	O-ring 80 x 3 mm	32612	2	
5	O-ring 45 x 3 mm	32613	1	
6	Compact seal (set for piston D 80)	32601	1	
	<b>Sealing kit for safety unit - complete</b>	<b>32698</b>	<b>1</b>	<b>Position 1 - 6</b>
7	Cylinder base	32611	1	
8	Piston housing	32610	1	
9	Piston housing base (for pivot shaft)	32605	1	
10	Grub screw ms. M8 x 20 mm	32216	1	
11	Piston D80	32603	1	
12	Piston rod	32608	1	
13	Oil fill threaded plug G 3/8"	32011	1	
	<b>Cylinder unit – assembled</b>	<b>32696</b>	<b>1</b>	<b>Position 1 - 13</b>
14	Cylinder holder	32606	1	
15	Compression spring LO600/30327N	32607	1	
16	Hose stop for fixed half	32618	1	
17	Protective hose for spring	32619	1	
18	Hose stop for loose half	32620	1	
	<b>Protective cover for safety package</b>	<b>32697</b>	<b>1</b>	<b>Position 16 - 18</b>

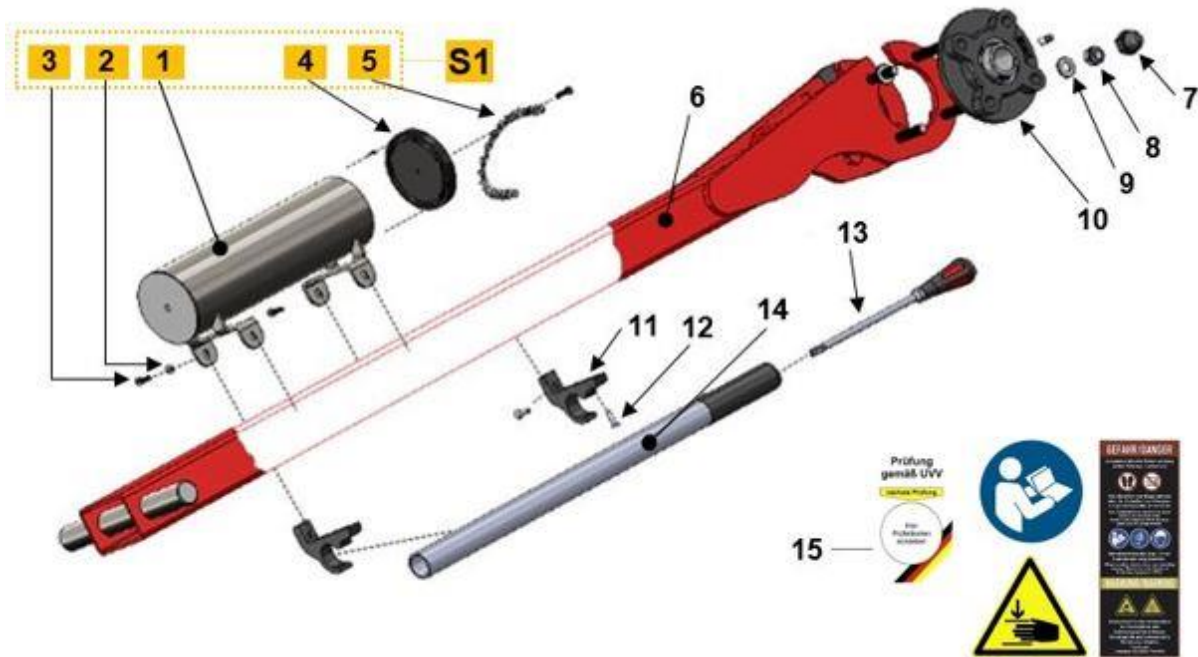


Assembly  
**Pump unit**

Assembly number  
**32700**

Dated: 22/08/2019  
Doc ID: EL-32700

Item	Part description	Part no.	Quantity	Note
1	Pump	32706	1	
2	Pump handle	32714	1	Upon request
3	Transmission lever	32715	1	Upon request
4	Hexagon bolt M8 x 65 mm	32711	1	
5	Hexagon bolt M8 x 45 mm	32710	2	
6	Nylon locknut M8	32919	5	
7	Washer 8 mm	32920	8	
8	Cheese-head screw M8 x 50	32712	2	
9	SWVE 12 x 3/8" (hydraulic banjo fitting)	32914	1	
10	RED 12-8	32704	1	
11	Protective sleeve 27 x 400	32151	1	
12	Cable tie 4,8	32931	2	
13	H-hose 8-340	32915	1	
14	Plug-in filter	32713	1	
15	GE 12 x 3/8"	32701	1	
16	SWVE 12 x 1/2"	32708	1	
17	Hydraulic hose 12 – 440	32702	1	
18	Tube 12	32707	1	
19	EVW 12	32703	2	
20	VT screw connection 12L	32709	1	
21	Hydraulic hose 12 – 460	32705	1	



Assembly  
**Push rod**

Assembly number  
**32800**

Dated: 18/07/2019  
Doc ID: EL-32800

Item	Part description	Part no.	Quantity	Note
1	Document container	32802	1	
2	Washer 4 mm	32812	3	
3	Pan-head screw 4 x 15 mm	32804	5	
4	Container lid	32805	1	
5	Securing chain 19 G	32806	1	
<b>S1</b>	<b>Document storage cylinder - complete</b>	<b>32801</b>	<b>1</b>	<b>pre-assembled</b>
6	Push rod frame	32807	1	
7	Protection cap 17 mm	32921	8	
8	Nylon Locknut M10	32913	8	
9	Washer 10.5 mm	32912	8	
10	Flange bearing 25 mm incl. grease nipple	32911	2	
11	Pump handle brackets	32809	2	
12	Countersunk screw M4 x 15 mm	32910	4	
13	Screwdriver	32810	1	
14	Pump handle	32811	1	
15	Label for push rod	32932	1	4-part set
	<b>Push rod complete</b>	<b>32800</b>	<b>1</b>	<b>pre-assembled</b>

1

2

3

4

5

6

7

8

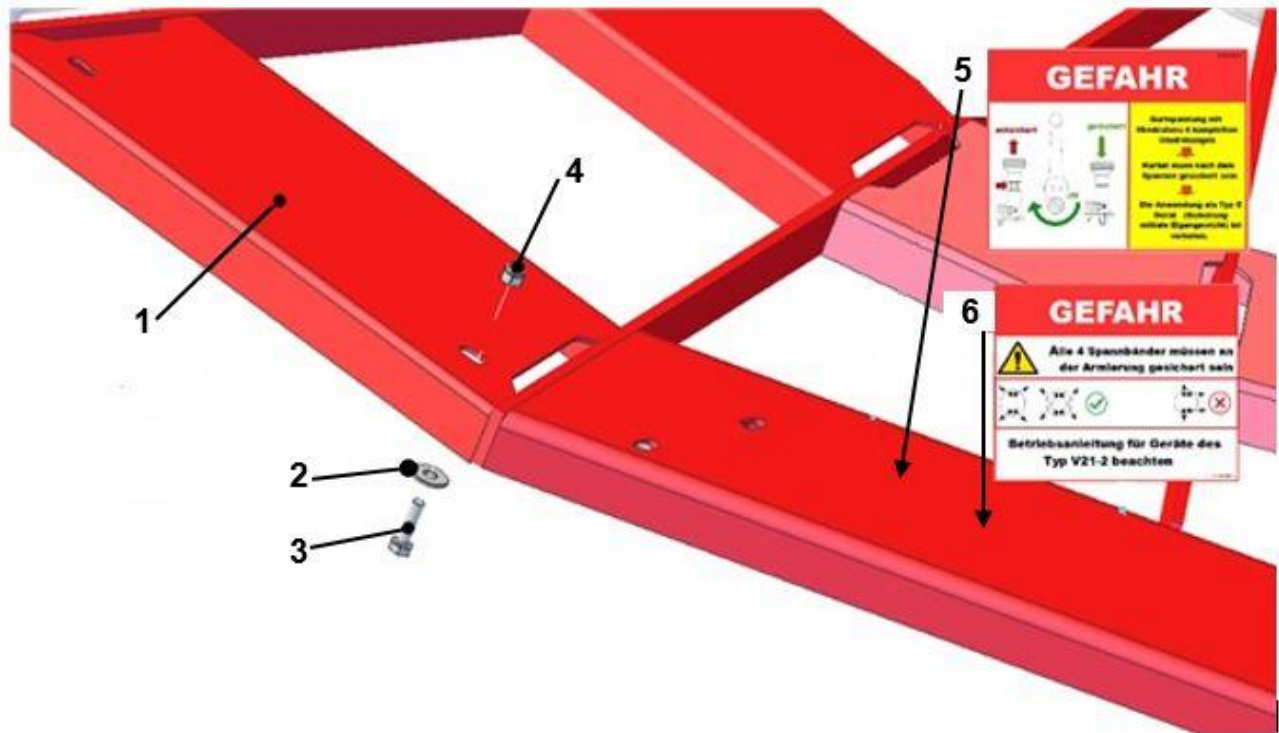
9

10

11

<b>Assembly Labels</b>	<b>Assembly number</b> <span style="font-size: 1.2em; font-weight: bold;">32900</span>	<b>Dated:</b> 15/03/2019 <b>Doc ID:</b> EL-32900
------------------------	---	---

Item	Part description	Part no.	Quantity	Note
1	Hazard information	32901	1	
2	Nameplate	32902	1	Upon request
3	Accident prevention regulations inspection	32903	1	
4	Next inspection	32904	1	Unstamped
5	Observe operating manual	32905	1	
6	! Hand injury	32906	1	
7	! Swivel arm	32907	1	
8	Label "FreeFalcon"	32908	4	
9	Label „No standing“	32909	2	
10	Label set "Reset"	32933	1	Set
11	Label „not an attachment point“	32934	4	

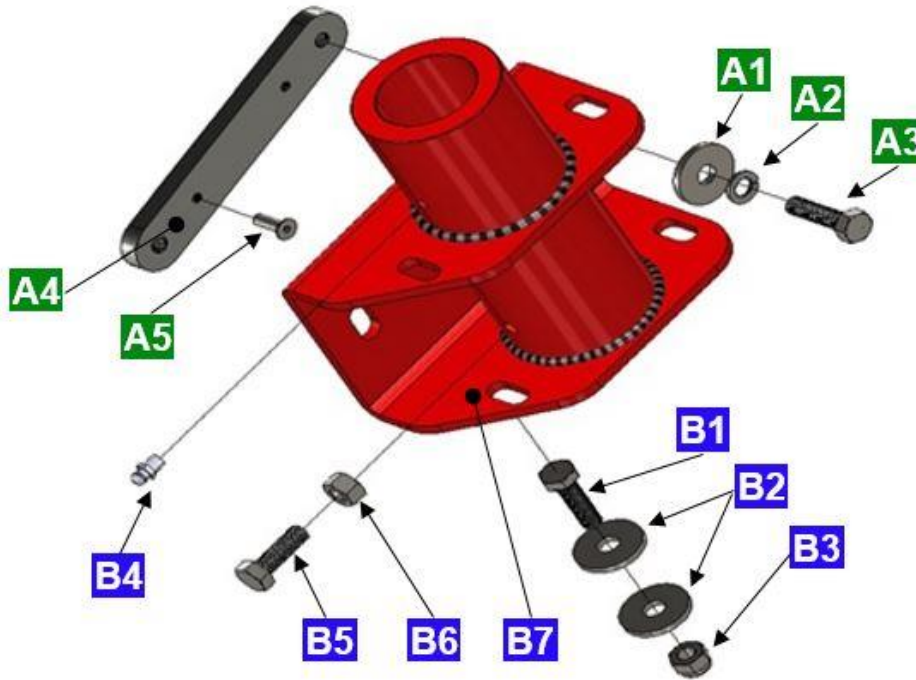


Assembly  
**Adapter**

Assembly number  
**35000**

Dated: 04/07/2019  
Doc ID: EL-35000

Item	Part description	Part no.	Quantity	Note
1	Adapter plate	35001	1	
2	Mud guard washer 8	32504	8	
3	Hexagon bolt M8 x 40 mm	35003	8	
4	Nylon locknut M8	32919	8	by damaged socket thread
5	Warning label, adapter plate	32923	2	
6	Warning label, tensioner	32924	2	

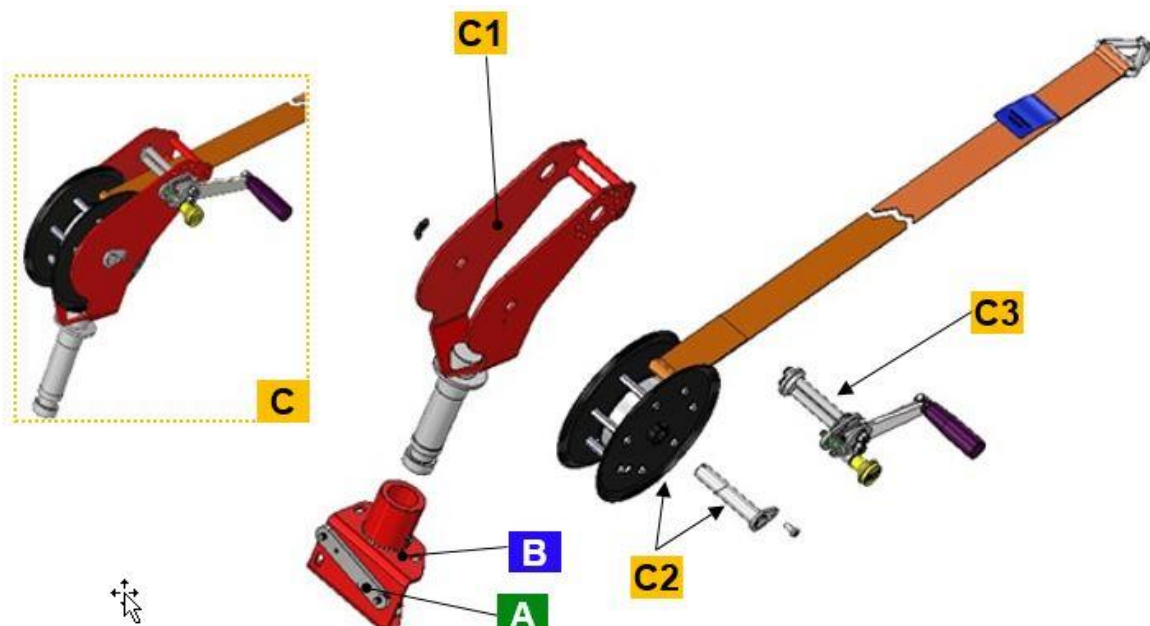


Assembly  
**Holder left / right**

Assembly number  
**35100**

Dated: 15/03/2019  
Doc ID: EL-35100

Item	Part description	Part no.	Quantity	Note
A1	Mud guard washer 8	32504	2	
A2	Spring washer 8 mm	32505	2	
A3	Hexagon bolt M8 x 30 mm	35002	2	
A4	Threaded plate for adapter mount attachment	35106	1	
A5	Countersunk screw M5 x 16 mm	32218	2	
<b>A</b>	<b>Attachment set - complete</b>	<b>35190</b>	<b>1</b>	
B1	Hexagon bolt M8 x 25 mm	32503	2	
B2	Mud guard washer 8	32504	4	
B3	Nylon locknut M8	32919	2	
B4	Grease nipple M6	35105	1	
B5	Hexagon bolt M8 x 20 mm	35104	1	
B6	Nut M8	32916	1	
B7	Mount for right wind column	35101	1	
B7	Mount for left wind column	35102	1	
<b>B</b>	<b>Mount right – incl. screws</b>	<b>35198</b>	<b>1</b>	
<b>B</b>	<b>Mount left – incl. screws</b>	<b>35199</b>	<b>1</b>	

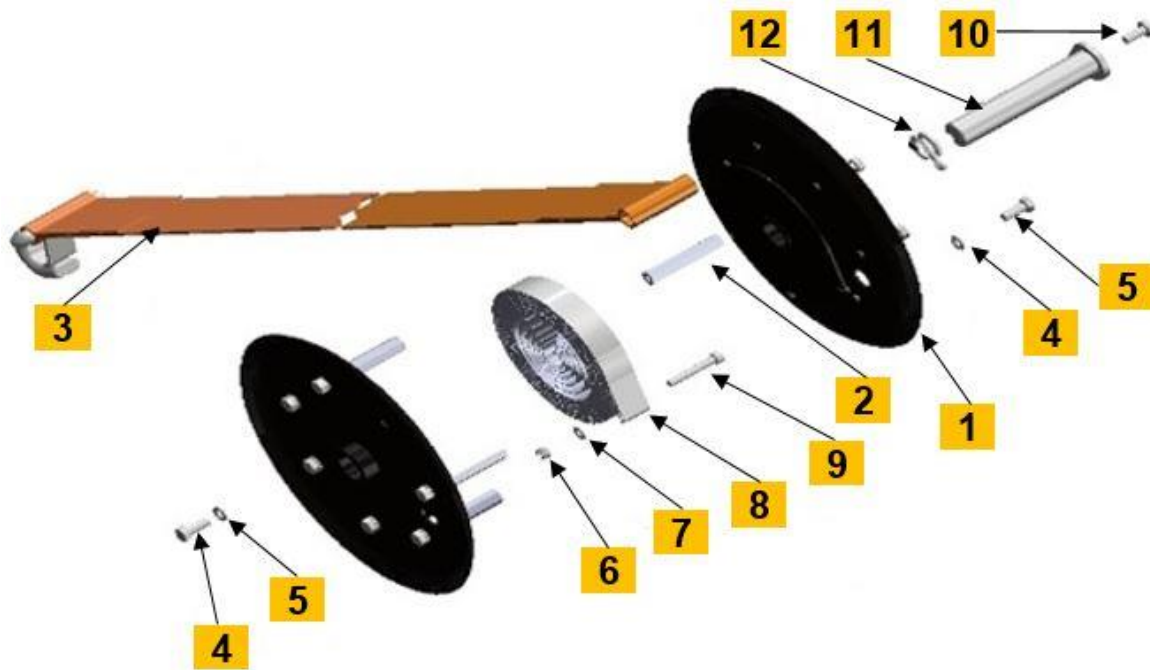


Assembly  
**Winch column**

Assembly number  
**35300**

Dated: 03/07/2019  
Doc ID: EL-35300

Item	Part description	Part no.	Quantity	Note
<b>C</b>	Winch column left – compl. assembled	35304	1	
<b>C</b>	Winch column right – compl. assembled	35305	1	
C1	Frame left	35302	1	
C1	Frame right	35306	1	
C2	Reel – complete set	35325	1	
C3	Strap winder – complete set	35350	1	
<b>B</b>	<b>Mount right – incl. screws</b>	<b>35198</b>	<b>1</b>	
<b>B</b>	<b>Mount left – incl. screws</b>	<b>35199</b>	<b>1</b>	
<b>A</b>	<b>Attachment set – complete</b>	<b>35190</b>	<b>1</b>	

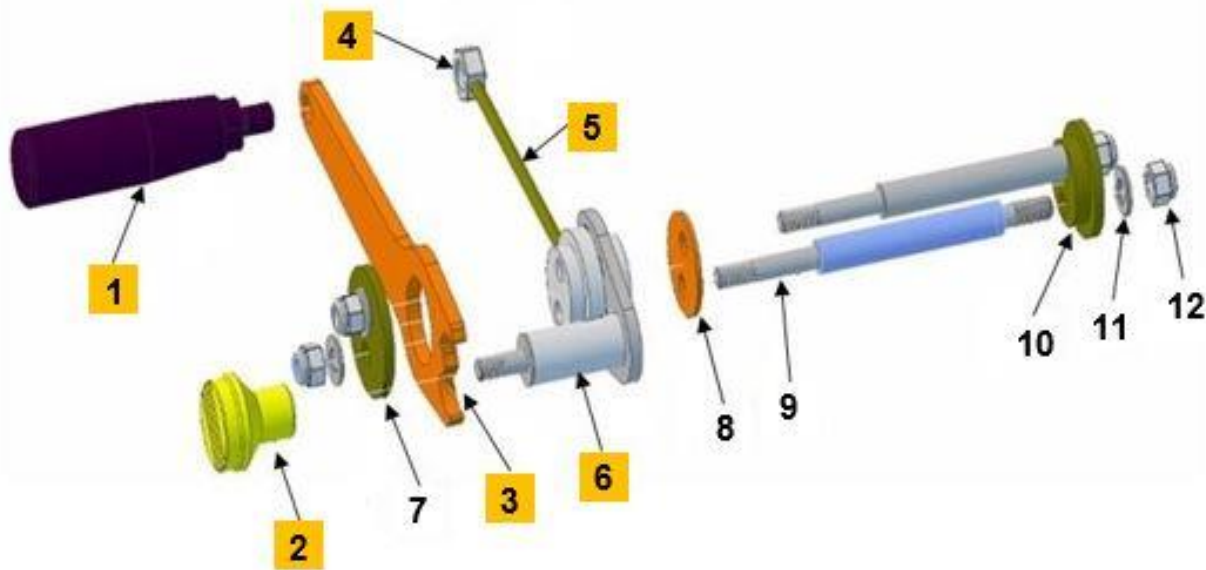


Assembly  
**Winding reel**

Assembly number  
**35325**

Dated: 01/07/2019  
Doc ID: EL-35325

Item	Part description	Part no.	Quantity	Note
1	Guide disc	35326	2	
2	Spacer M6 SW10-55 mm	35327	7	
3	Strap 50 x 2	35328	1	
4	Hexagon bolt M6 x 15 mm	35329	14	
5	Washer 6 mm	35330	14	
6	Nylon locknut M5	35331	1	
7	Washer 5 mm	35332	2	
8	Return spring 20 x 30 mm	35333	1	
9	Cylinder head screw M5 x 35 mm (Allen head)	35334	1	
10	Pan-head screw M6 x 15 mm	32009	1	
11	Core pin	35303	1	
12	Cotter pin 4 x 30 mm (split pin)	32305	1	



Assembly  
**Strap tensioner**

Assembly number  
**35350**

Dated: 01/05/2021  
Doc ID: EL-35350

Item	Part description	Part no.	Quantity	Note
1	Crank M10	35360	1	
2	Mushroom handle, yellow M8	35359	1	
3	Tensioning lever	35357	1	
4	Mounting nut	35353	1	
5	Spring rod	35352	1	
6	Coupling	35351	1	
	<b>Gurtspanner – Teilesatz</b>	<b>35399</b>	<b>1</b>	
7	Cover disc	35358	1	
8	Stop disc	35354	1	
9	Connecting bolts	35355	2	
10	Counter roller	35356	1	
11	Washer 8 mm	32920	4	
12	Nylon locknut M8	32919	4	